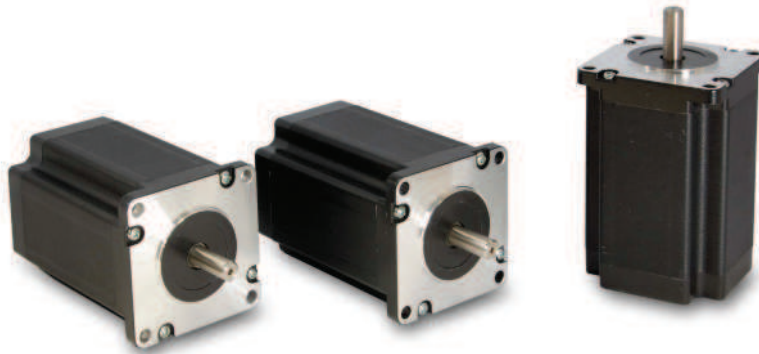


Nema 24

2 phase 1.8° step angle
 hybrid stepping motor

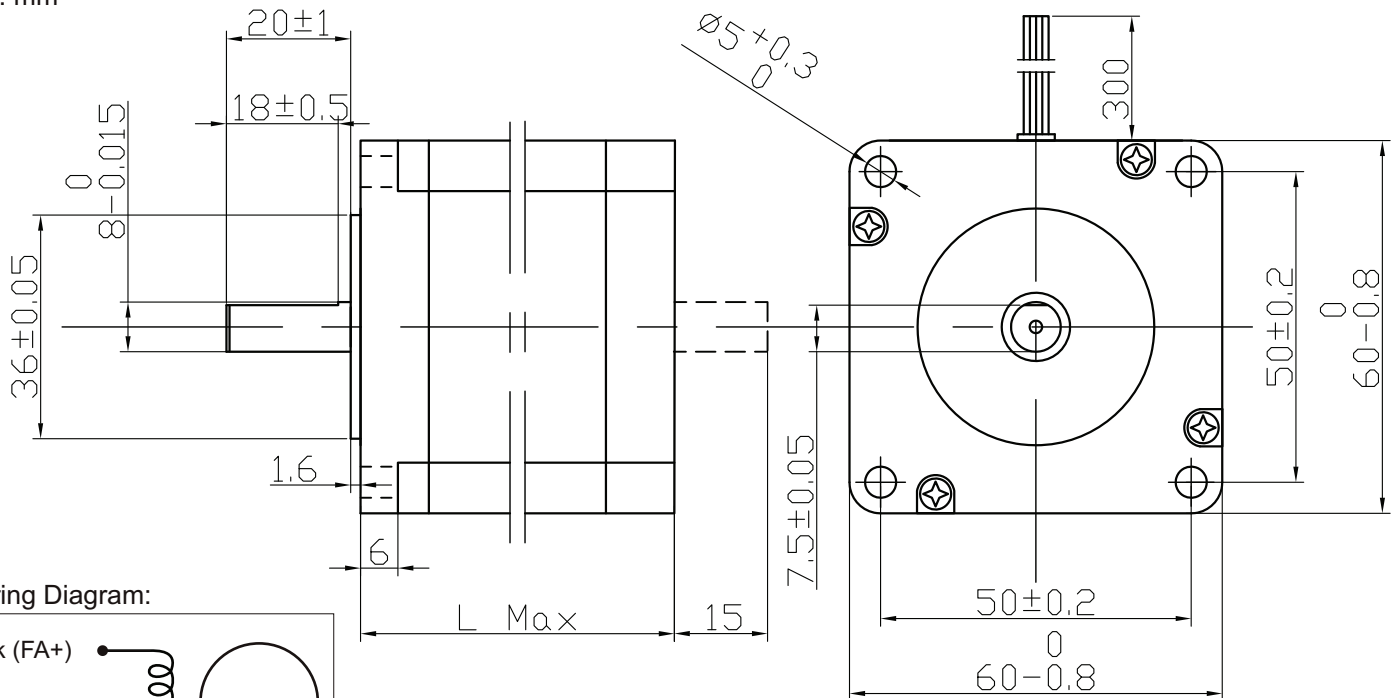


Specifications:

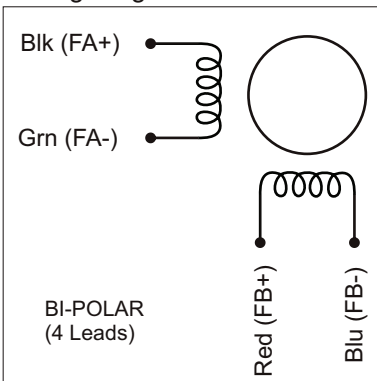
| Model | Holding Torque (Nm) | Phase current (A) | Rotor Inertia (g/cm ²) | Motor Length L max (mm) | Detent Torque (Nm) | Phase Resistance (ohm) | Phase Inductance (mH) | Lead Wire (No) | Motor Weight (Kg) | Note |
|-----------------|---------------------|-------------------|------------------------------------|-------------------------|--------------------|------------------------|-----------------------|----------------|-------------------|------|
| M1243042 | 3.20 | 4.2 | 800 | 89 | 0.12 | 0.7 | 3.0 | 4 | 1.4 | |
| M1243044 | 3.20 | 6.0 | 800 | 89 | 0.12 | 0.4 | 1.45 | 4 | 1.4 | |

Double shaft and custom windings available

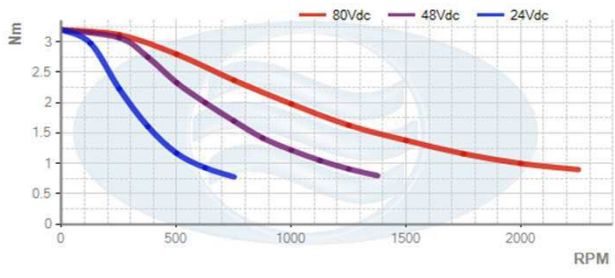
Mechanical Dimensions:
 Unit: mm



Wiring Diagram:



M1243042



M1243044

